



# PRO FLAPS

## CUSTOM MUD FLAPS

### #550

### 2" Hitch Mounted Mud Flaps

#### PACKAGE CONTENTS:

- 12 - 1 1/4" x 1/4" Bolts
- 24 - 1/4" Washers
- 12 - 1/4" Nylock Nuts
- 2 - 1 1/4" x 5/16" Bolts
- 4 - 5/16" Washers
- 2 - 5/16" Nylock Nuts
- 2 - Pro Flap Mud Flaps
- 2 - Hitch Brackets
- 2 - Mud Flap Brackets

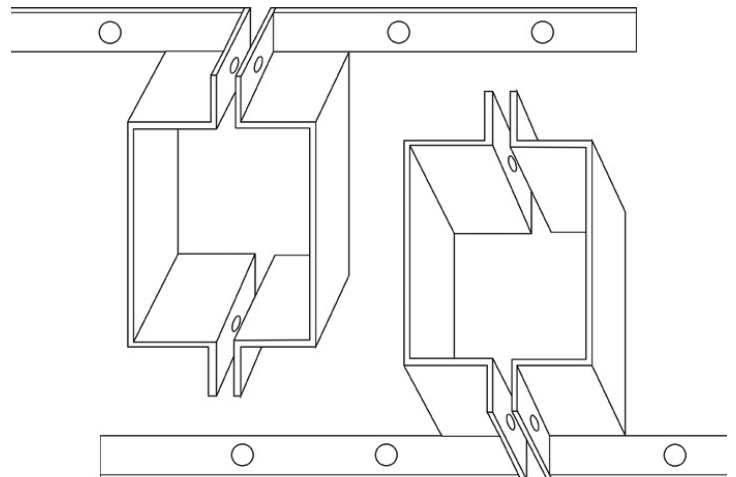
**Pro Flaps does not come attached to the Hitch Bracket so you can shorten down the flap material to customize the length.**

#### RECOMMENDED TOOLS:

- 7/16" Socket/Driver
- 7/16" Wrench
- 1/2" Socket/Driver
- 1/2" Wrench

**Read all direction thoroughly before installation of your new Pro Flaps Hitch Mounted Mud Flaps. Make sure to park your vehicle on a level surface and clean fender mounting area prior to installation. Pro Flaps must have a minimum clearance of 4" from exhaust pipe on gas engines and 7" on diesel engines. Any muffler shop can easily heat and bend exhaust pipe.**

- 1. Layout Hitch Brackets with either the mount being pointed up or down, depending on your vehicle height and best installation for you. Place one of the 1 1/4" x 5/16" bolts, two washers and one nylock nut onto each of the mounting holes in the Hitch Bracket. Do not tighten these bolts and nylock nuts yet.**
- 2. Place your ball mount through the Hitch Brackets and than install ball mount to hitch receiver. Make sure clevis pin holes align before tightening Hitch Mount bolts to ball mount and fasten ball mount to hitch receiver.**



3. **Tighten the hitch bolts to your ball mount to secure the hitch brackets to your ball mount.**
4. **Check the height of your vehicle and cut Pro Flaps Mud Flaps to desired height before installing on Hitch Brackets.**

**If Cutting is required, use Mud Flap Bracket to align holes before re-drilling. Lay the Pro Flaps Mud Flaps on a flat surface and lay the Mud Flap Bracket aligned to the top and outside edge. Using a piece of chalk mark each hole and then drill them out using a 1/4" drill bit.**

5. **To find the width needed for your vehicle use the Mud Flap Bracket and align it with the holes on the Hitch Bracket.**

**You can mount your Mud Flaps in many different ways but mounting to the outside edge of your tire will give you maximum coverage.**

**A minimum of three bolts needs to be mounted into the Hitch Brackets.**

6. **Using the six 1" x 1/4" bolts twelve 1/4" washers and six nylock nuts secure the Mud Flap Bracket and Pro Flaps Mud Flap to the Hitch Bracket.**

**Do Not Tighten the bolts until all six bolts have been installed.**

7. **Repeat steps 4-6 on other side**

